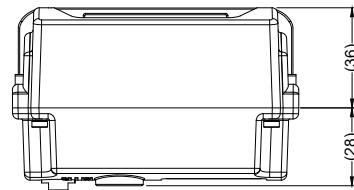
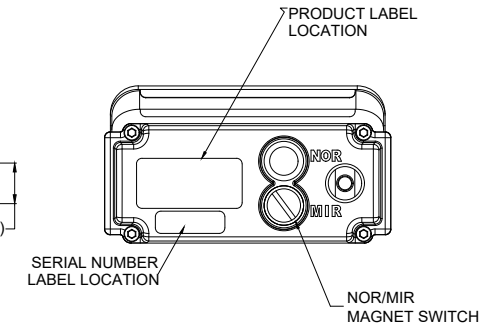
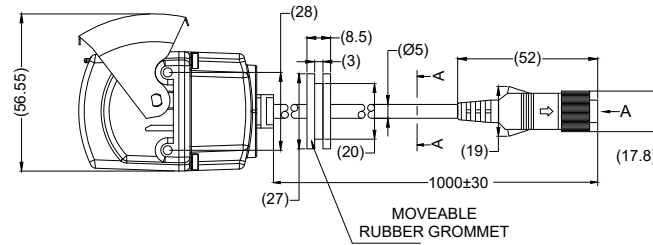
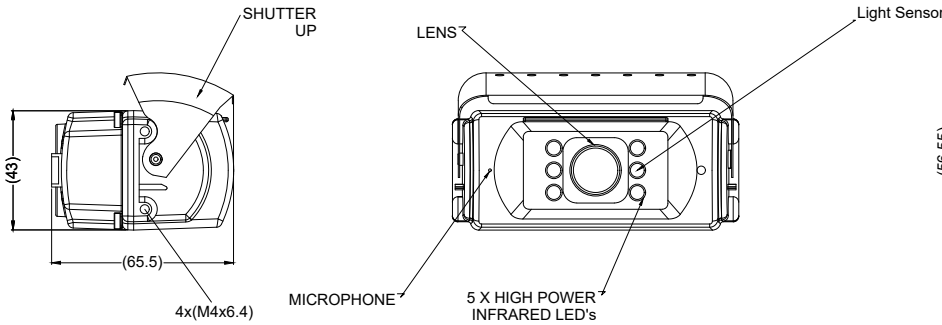
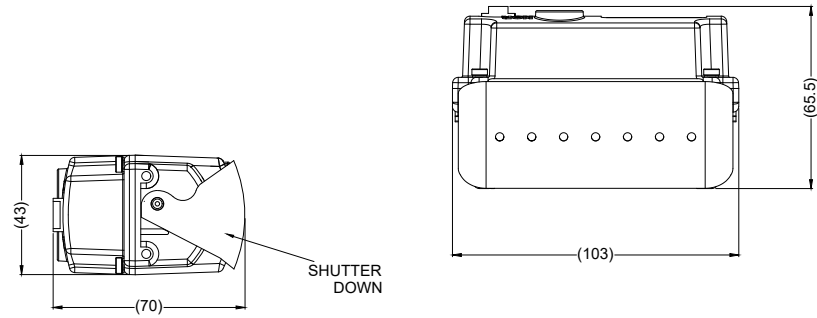
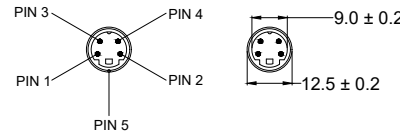


Revision Notes				
R1 - ADDED FIRMWARE REVISION TO NOTES AS PER ECR CR-A681				
APA: T.CHOI	Drawn:S.LAVER	Checked:L.PILLAY	Approved:D.WALLIN	Date: 25/06/19



### VIEW A

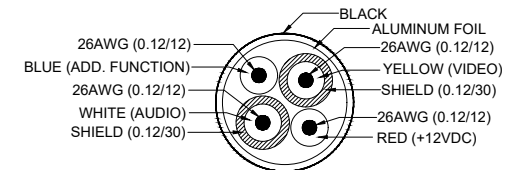


#### 4 PIN MINI DIN MALE MATING FACE

PIN #	WIRE COLOUR	DESCRIPTION
1	YELLOW	VIDEO
2	RED	+12V
3	BLUE	ADD.FUNCTION SHUTTER (CONTROL)
4	WHITE	AUDIO
5	SHIELD	GND

### VIEW A-A

#### CABLE BUILDUP



- NOTES:**
- REFER TO PRODUCT SPECIFICATION FOR PRODUCT SPECIFICATIONS.
  - FOR PRODUCT LABEL AND PACKAGING INFORMATION REFER TO MASTER BOM.
  - ANY CUSTOMER MODIFICATION OF THIS PRODUCT CAUSING SUBSEQUENT FAILURE IS NOT A LIABILITY OF BRIGADE ELECTRONICS PLC.
  - FIRMWARE TO BE INSTALLED FROM FACTORY: MA-B10CP\_XXX\_MP\_REV1.1(190522)

**PROPRIETARY NOTICE**  
THIS DESIGN AND TECHNICAL INFORMATION APPEARING ON THIS DRAWING IS THE PROPERTY OF BRIGADE ELECTRONICS, AND IS DISCLOSED IN CONFIDENCE. IT IS NOT TO BE COPIED, REPRODUCED, REVEALED TO OR EXPROPRIATED BY OTHERS, EITHER IN WHOLE OR IN PART WITHOUT THE EXPRESS WRITTEN CONSENT OF BRIGADE ELECTRONICS.

**BRIGADE**  
www.brigade-electronics.com

Assembly Pl Approval T.CHOI 01/11/18	Approved by B.JOHN	Checked by S.LAVER	Drawn by C.WALKER
Angle of Projection 	Units mm	Scale N/A	Released 02/11/18
Status RELEASED	BE-810C-C		
Part No 3416D	BE-003889-01-18		